



A Cashco, Inc. Company



VAPOR CONTROL SYSTEMS

www.cashco.com
Innovative Solutions

Get Consistent Quality

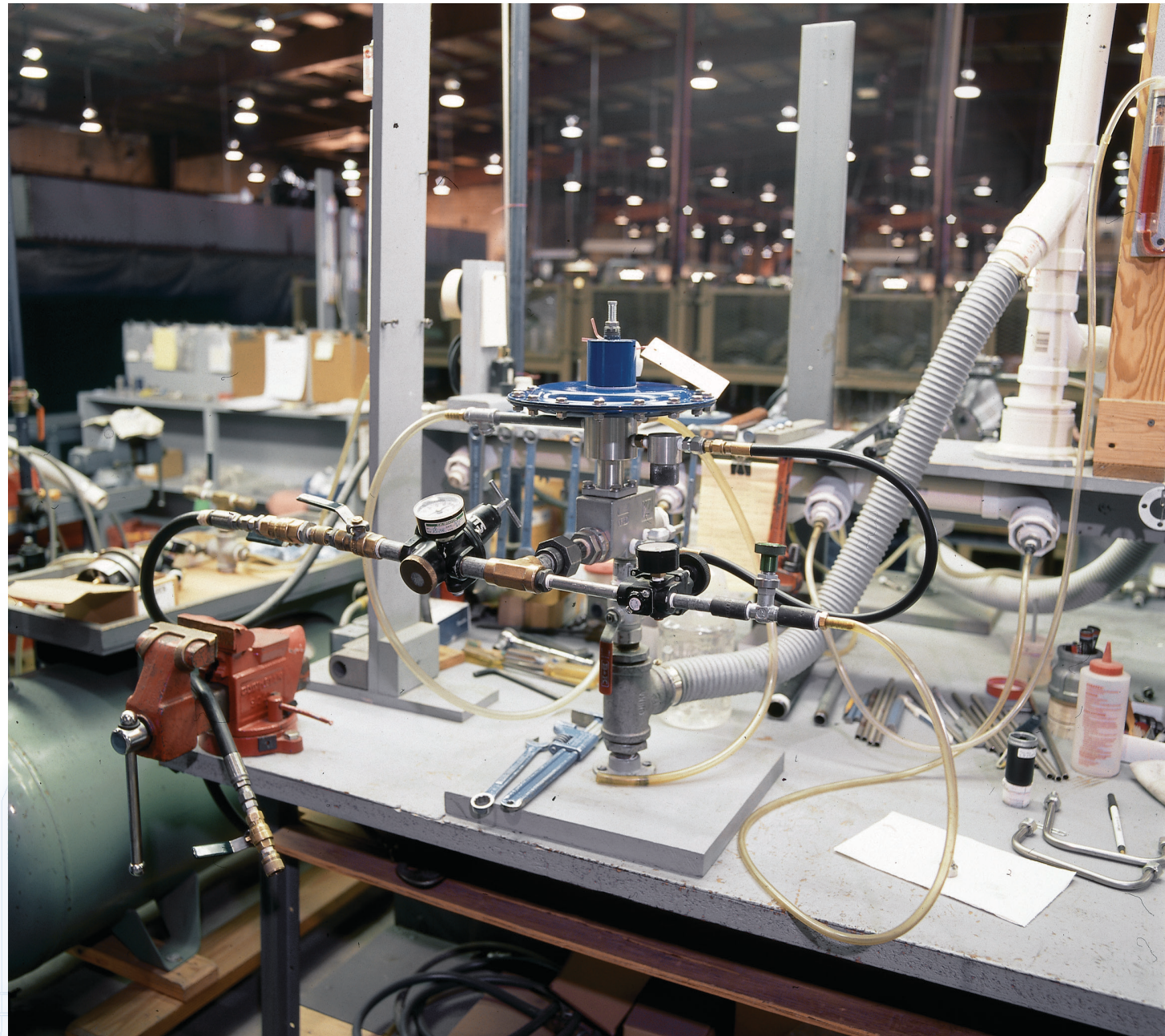
By involving every employee in our ISO 9001:2008 Quality Assurance Program, you can count on the quality we provide you. We have coordinated our business systems, invested in state-of-the-art machine tools, and built an extensive component inventory so we can consistently provide cost-effective solutions and on-time delivery to meet your replacement or project requirements — regardless of size or complexity.

Make the Right Choice

“We simply make it right” by putting your needs first. The next time you specify control valves, regulators or vapor control emission systems, or you need a replacement fast...call the supplier that makes it right. Rely on Cashco for your single-source convenience. Great service, field-proven quality, and timely delivery makes Cashco the right choice.

Select Control Valves & Regulators FOR SPECIALIZED OR UTILITY SERVICE

We manufacture a broad line of throttling rotary and linear control valves, pressure reducing regulators, and back pressure regulators in line sizes from 1/4 inch to 10 inches and Cv ranges from .002 to 4,406. Models are available to handle slurries, cryogenic service, and corrosive fluids; to withstand high temperatures and pressures; and to maximize the reduction of fugitive emissions. Contact Cashco for complete product information.





WE ARE CASHCO

The Strength Of Our Organization Is Our Employees

COMMITMENT. QUALITY. DEDICATION.

Cashco, Inc., is a manufacturing enterprise, centrally located within the United States. Our employees use hard work, commitment, and passion to define company goals that deliver world-class products at a fair price.

At Cashco, we continue to innovate our products until they are recognized as best in class within their respective industry. If the customer is not satisfied, we take it upon ourselves to make it right. Cashco employees are the bloodline of our company elevating products above industry standards for performance, dependability, and safety.

At Cashco, the strength of our organization is our employees.

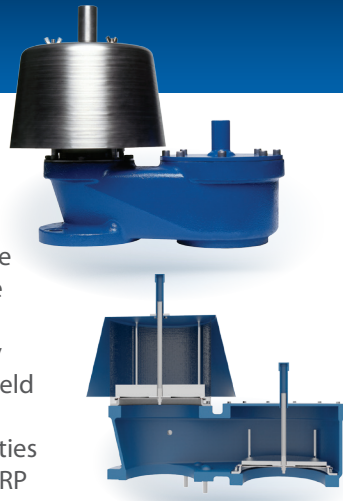
TABLE OF CONTENTS

Vapor Control Systems

| | |
|-------------------|----|
| Model 3100/4100 | 4 |
| Model 3200/4200 | 4 |
| Model 3300/4300 | 4 |
| Model 3400/4400 | 5 |
| Model 3500/4500 | 5 |
| Model 3600/4600 | 5 |
| Model 5100 & 5200 | 6 |
| Model 5400 & 5500 | 6 |
| Model 1049 & 1078 | 7 |
| Model 6A00 & 6E00 | 7 |
| Model 7A00 | 7 |
| Model 1088 | 8 |
| Model 1088-BP | 8 |
| Model 8900 | 8 |
| Model 1100 | 8 |
| Model 8700 | 9 |
| Model 3700 | 9 |
| Model 2900 | 9 |
| Model 2100 | 10 |
| Model 2049 | 10 |
| Model 2199 | 10 |

MODEL // **3100/4100**

The Model 3100/4100 are pressure/vacuum vents designed to vent the tank vapor away to atmosphere and to relieve vacuum pressure within the tank. The 3100 is a weight loaded style whereas the 4100 incorporates a spring loaded design. One of the key features to the design is it can be retrofitted in the field to become a 3200, 4200, 5100, or a 5200 series unit. (This does not include FRP Bodies.) This allows facilities to upgrade to meet ever changing EPA standards. (FRP Not available on 4000 Series).



Body Size:

2", 3", 4", 6", 8", 10", and 12"

Materials:

- CS Body/Hood with SST Bolt/Guides
- SST Body/Hood with SST Bolt/Guides
- Alum Body/Hood with SST Bolt Guides
- FRP Body/Hood with SST Studs
- FRP Body/Hood with Hastelloy Studs

3100 Max. Pressure Setting:

2.0 psig

4100 Max. Pressure Setting:

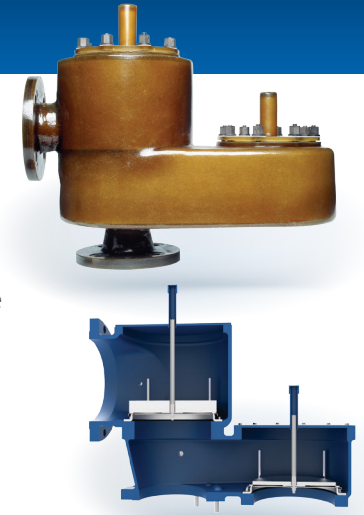
15 psig

3100/4100 Max. Vacuum Setting:

1 psig / 15 psig

MODEL // **3200/4200**

The Model 3200/4200 are pressure/vacuum vents designed to vent the tank vapor away to a header system and to relieve vacuum pressure within the tank. The 3200 is a weight loaded style whereas the 4200 incorporates a spring loaded design. One of the key features to the design is it can be retrofitted in the field to become a 5100, or a 5200 series unit. (This does not include FRP Bodies.) This allows facilities to upgrade and meet ever changing EPA standards. (FRP Not available on 4000 Series).



Body Size:

2", 3", 4", 6", 8", 10", and 12"

Materials:

- CS Body with SST Bolt/Guides
- SST Body with SST Bolt/Guides
- Alum Body with SST Bolt/Guides
- FRP Body with SST Studs
- FRP Body with Hastelloy Studs

3200 Max. Pressure Setting:

2.0 psig

4200 Max. Pressure Setting:

15 psig

3200/4200 Max. Vacuum Setting:

1 psig / 15 psig

MODEL // **3300/4300**

The Model 3300/4300 are vacuum vents designed to allow atmospheric air into the tank to reduce the vacuum pressure in the tank. The 3300 is a weight loaded style whereas the 4300 incorporates a spring loaded design. One of the key features to the design is it can be retrofitted in the field to become a 3100, 3200, 4100, 4200, 5100 or a 5200 series unit if additional venting is required in the future. (This does not include FRP Bodies.) This allows facilities to upgrade their equipment to meet both plant requirements and ever changing EPA standards. (FRP Not available on 4000 Series.)



Body Size:

2", 3", 4", 6", 8", 10", and 12"

Materials:

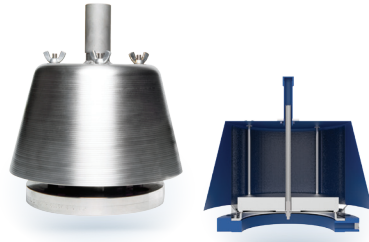
- CS Body with SST Bolt/Guides
- SST Body with SST Bolt/Guides
- Alum Body with SST Bolt/Guides
- FRP Body with SST Studs
- FRP Body with Hastelloy Studs

3300/4300 Max. Vacuum Setting:

1 psig / 15 psig

MODEL // 3400/4400

The Model 3400/4400 are pressure vents designed to vent the tank vapor away to atmosphere. The 3400 is a weight loaded style whereas the 4400 incorporates a spring loaded design. (FRP Not available on 4000 Series.)



Body Size:

2", 3", 4", 6", 8", 10", 12", 16", 18", 20", and 24"

Materials:

- CS Body/Hood with SST Bolt/Guides
- SST Body/Hood with SST Bolt/Guides
- Alum Body/Hood with SST Bolt/Guides
- FRP Body/Hood with SST Studs
- FRP Body/Hood with Hastelloy Studs

3400 Max. Pressure Setting:

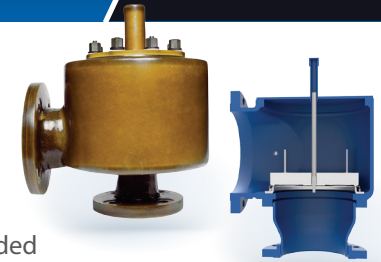
2.0 psig

4400 Max. Pressure Setting:

15 psig

MODEL // 3500/4500

The Model 3500/4500 are pressure vents designed to vent the tank vapor away to a header system. The 3500 is a weight loaded style whereas the 4500 incorporates a spring loaded design. One of the key features to the design is that it can be retrofitted in the field to become a 5500 series. If vacuum vent is required, it can also be upgraded to a 3200, 4200, or a 5200 series unit. (This does not include FRP Bodies.) This allows facilities to upgrade to meet tank requirements and ever changing EPA standards. The 3500/4500 can also be used as a side mounted vacuum vent with inlet flange. (FRP Not available on 4000 Series.)



Body Size:

2", 3", 4", 6", 8", 10", and 12"

Materials:

- CS Body with SST Bolt/Guides
- SST Body with SST Bolt/Guides
- Alum Body with SST Bolt/Guides
- FRP Body with SST Studs
- FRP Body with Hastelloy Studs

3500 Max. Pressure Setting:

2.0 psig

4500 Max. Pressure Setting:

15 psig

MODEL // 3600/4600

The Model 3600/4600 are vacuum vents designed to allow atmospheric air into the tank to reduce the vacuum pressure in the tank. The 3600 is a weight loaded style whereas the 4600 incorporates a spring loaded design. One of the key features to the design is that it can be retrofitted in the field to become a 3200, 4200, or a 5200 series unit if additional venting is required in the future. (This does not include FRP Bodies.) This allows facilities to upgrade their equipment to meet both plant requirements and ever changing EPA standards. (FRP Not available on 4000 Series.)



Body Size:

2", 3", 4", 6", 8", 10", 12", and 14"

Materials:

- CS Body with SST Bolt/Guides
- SST Body with SST Bolt/Guides
- Alum Body with SST Bolt/Guides
- FRP Body with SST Studs
- FRP Body with Hastelloy Studs

3600/4600 Max. Vacuum Setting:

1 psig / 15 psig

MODEL // 5100

The Model 5100 is a pressure/vacuum vent designed to vent the tank vapor away to atmosphere and to relieve vacuum pressure within the tank. The 5100 is a pilot operated design. The precision of the pilot feature allows tight seat leakage closer to set point and full flow with less overpressure.

Body Size:

2", 3", 4", 6", 8", 10", and 12"

Materials:

CS Body/Hood with SST Bolt/Guides
 SST Body/Hood with SST Bolt/Guides
 Alum Body/Hood with SST Bolt/Guides



5100 Max. Pressure Setting:

15 psig

5100 Max. Vacuum Setting:

.5 psig weight loaded and
 15 psig spring package

MODEL // 5400

The Model 5400 is a pressure vent designed to vent the tank vapor away to atmosphere. The 5400 is a pilot operated design. The precision of the pilot feature allows tight seat leakage closer to set point and full flow with less overpressure.

Body Size:

2", 3", 4", 6", 8", 10", 12", 16", 18", 20", and 24"

Materials:

CS Body/Hood with SST Bolt/Guides
 SST Body/Hood with SST Bolt/Guides
 Alum Body/Hood with SST Bolt/Guides

5400 Max. Pressure Setting:

15 psig



MODEL // 5200

The Model 5200 is a pressure/vacuum vent designed to vent the tank vapor away to a header system and to relieve vacuum pressure within the tank. The 5200 is a pilot operated design. The precision of the pilot feature allows tight seat leakage closer to set point and full flow with less overpressure.

Body Size:

2", 3", 4", 6", 8", 10", and 12"

Materials:

CS Body with SST Bolt/Guides
 SST Body with SST Bolt/Guides
 Alum Body with SST Bolt/Guides



5200 Max. Pressure Setting:

15 psig

5200 Max. Vacuum Setting:

.5 psig weight loaded and
 15 psig spring package

MODEL // 5500

The Model 5500 is a pressure vent designed to vent the tank vapor away to a header system. The 5500 is a pilot operated design. The precision of the pilot feature allows tight seat leakage closer to set point and full flow with less overpressure.

Body Size:

2", 3", 4", 6", 8", 10", and 12"

Materials:

CS Body with SST Bolt/Guides
 SST Body with SST Bolt/Guides
 Alum Body with SST Bolt/Guides

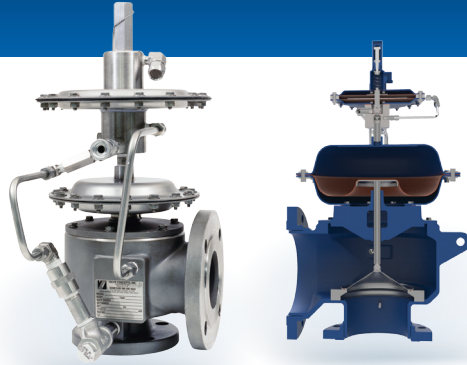
5500 Max. Pressure Setting:

15 psig



MODEL // 1049

The Model 1049 is a pressure vent designed to vent the tank vapor away to header system, similar to the 5500. The 1049 is a pilot operated design. The precision of the pilot feature allows tight seat leakage closer to set point and full flow with less overpressure.



Body Size:

2", 3", 4", 6", 8", 10", and 12"

Materials:

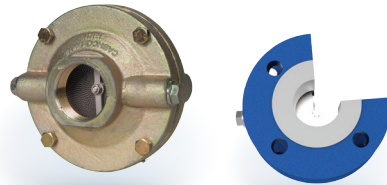
CS Body/Pilot
SST Body/Pilot

1049 Max. Pressure Setting:

14 psig

MODEL // 6A00

The Model 6A00 is an inline deflagration flame arrester. The primary function is to allow the flow of gases or vapor of flammable liquids through the enclosure, but prevent the transmission of a flame. The element inside the housing provides an extinguishing barrier to the ignited vapor mixture by absorbing heat from the flame. The element design is bi-directional and available for horizontal or vertical installations.



Body Sizes:

3/4", 1", 1-1/4",
1-1/2", 2", 2-1/2",
3", 4", 5", 6", 8",
10", and 12"

Materials:

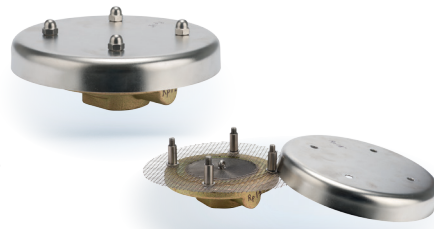
CS or SST

Element:

SST Material

MODEL // 6E00

The Model 6E00 is an inline deflagration flame arrester. The primary function is to allow the flow of gases or vapor of flammable liquids through the enclosure.



Body Sizes:

3/4", 1", 1-1/4",

Materials:

CS or SST

Element:

SST Material

MODEL // 1078

The Model 1078 is a pilot operated blanketing valve allowing tanks to be controlled with much tighter tolerances than before. The unit has multiple flow plugs, sensing configurations, and body configurations in order to meet the specific needs of the end user.



Body Size:

Line Size: 1" and 2"
Multiple Port Sizes to
Choose From

1078 Max. Pressure Setting:

14 psig

Materials:

CS Body/Pilot
SST Body/Pilot

MODEL // 7A00

The Model 7A00 is an inline detonation flame arrester. The primary function is to allow the flow of gases or vapor of flammable liquids through the enclosure, but prevent the transmission of a flame and suppress the effect of a detonation. The element inside the housing provides an extinguishing barrier to the ignited vapor mixture by absorbing heat from the flame. The element design is bi-directional and available for horizontal or vertical installations.



Body Sizes:

3/4", 1", 1-1/4", 1-1/2", 2", 2-1/2",
3", 4", 5", 6", 8", 10", and 12"

Materials:

CS or SST

Element:

SST Material

MODEL // 1088

The Model 1088 is a spring operated blanketing valve allowing tanks to be controlled with much tighter tolerances than with standard regulators. The unit has multiple sensing configurations and body configurations in order to meet the specific needs of the end user.



Body Size:

Line Size: 1/2"

Materials:

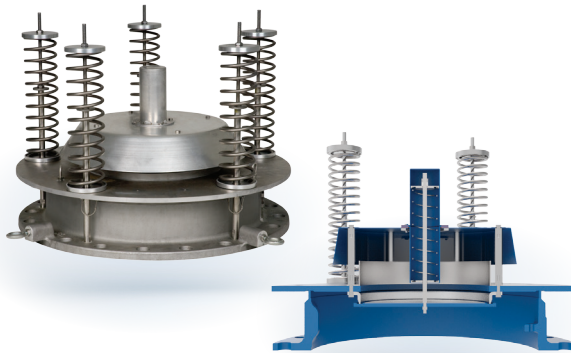
SST Body/Pilot

1088 Max. Pressure Setting:

14 psig

MODEL // 8900

Series 8900 emergency relief vents available in hinged or top-guided design, for pressure only or pressure and vacuum relief.



Body Size:

16", 18", 20" and 24", ASME & API Flanges

Materials:

Alum, SST

8900 Max. Pressure Settings:

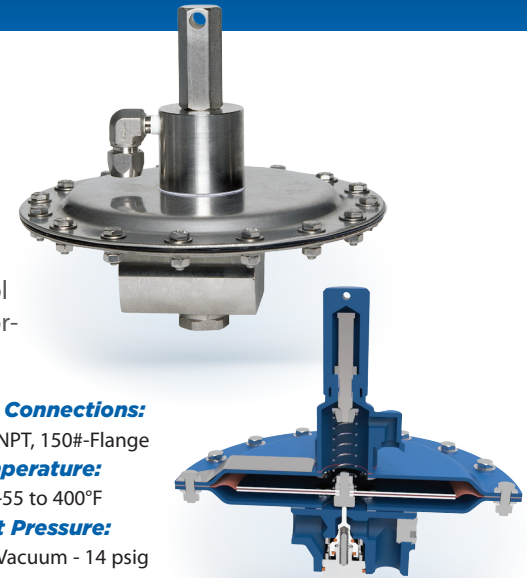
Weight loaded hinged less than .5 psi
Spring loaded is 0.5-15 psi

Maximum Vacuum Setting:

4 oz./in²

MODEL // 1088-BP

The Model 1088-BP is a spring operated back pressure relief regulator used to regulate upstream pressure. Compact and light weight it is designed to control low set point pressures on small storage tank applications.



Body Size:

1/2"

Material:

Body: SST

Upper Case: CS, SST

Lower Case: SST

Trim: 316 SST

Seat: FKM, Buna-N, EPDM

Diaphragm: TFE

End Connections:

NPT, 150#-Flange

Temperature:

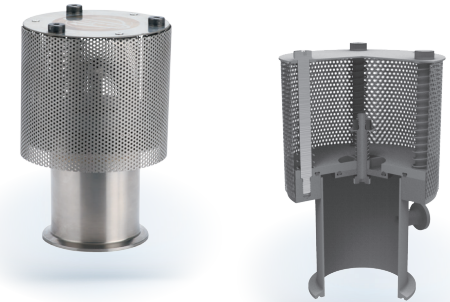
-55 to 400°F

Inlet Pressure:

Vacuum - 14 psig

MODEL // 1100

Series 1100 emergency relief vents available in hinged or top-guided design, for pressure only or pressure and vacuum relief. Series 1100 emergency relief vents available in hinged or top-guided design.



Body Size:

16", 18", 20" and 24", ASME & API Flanges

Materials:

Alum, SST

8900 Max. Pressure Settings:

Weight loaded hinged less than .5 psi
Spring loaded is 0.5-15 psi

Maximum Vacuum Setting:

4 oz./in²

MODEL // 8700

The Model 8700 emergency pressure/vacuum vents provide emergency pressure and vacuum relief beyond that furnished by the normal pressure vent for atmospheric and low pressure tanks, as well as providing a convenient access for tank cleaning, inspection and repair. Emergency relief valves provide relief from excessive internal pressure which may be caused by an abnormal condition, such as ruptured internal heating coils or an external fire. The vacuum relief allows the intake of air necessary to maintain the tank pressure within the permissible vacuum limit to avoid damage to the tank.

Body Size:

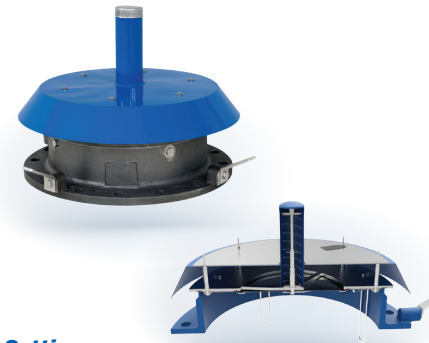
16", 18", 20" and 24"

Materials:

Aluminum unit - aluminum body, aluminum seat, pallet and weatherhood.
 304 stainless steel unit - 304 stainless steel body, aluminum pallet and weatherhood, or steel pallet and a steel weatherhood or a stainless steel pallet and a steel weatherhood.
 316 stainless steel - all stainless steel.

Maximum Pressure:

1 psig



Maximum Vacuum Setting:

4 oz./in²

Diaphragm Material:

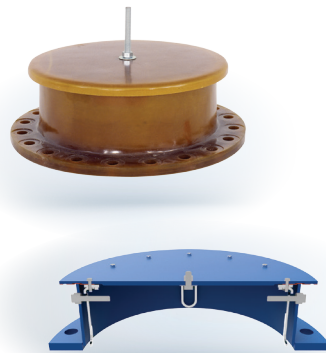
FEP TFE, Buna-N, EPDM, FKM

Diaphragm Temperature Limits:

FEP-TFE -400° to 400° F
 FKM 0° to 400° F
 NBR -30° to 200° F
 EPDM -40° to 225° F

MODEL // 3700

The Model 3700 is a bottom guided emergency relief vent designed to vent the tank vapor away to atmosphere above the requirements of the standard pressure vent.



Body Size:

16", 18" 20" and 24" in Both ASME & API Flanges

Materials:

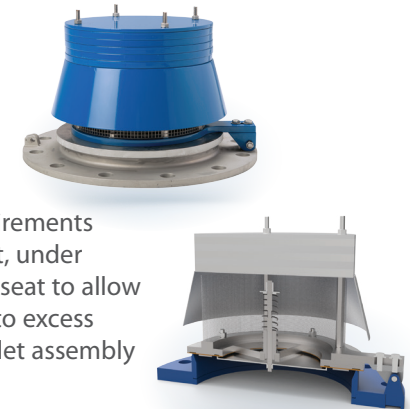
Alum Body
 SST Body
 FRP Body with SST Studs
 FRP Body with Hastelloy Studs

3700 Max. Pressure Setting:

21.81 oz./in²

MODEL // 2900

The Model 2900 is a pressure/vacuum relief vent that provides emergency pressure relief beyond that furnished by the normal pressure vent for atmospheric and low pressure tanks. If the tank out breathing requirements exceed the capability of the normal pressure relief vent, under emergency conditions, the pallet assembly lifts off the seat to allow escape of vapors, preventing damage to the tank due to excess pressure. When the excess pressure is relieved, the pallet assembly will re-seat to again provide a vapor-tight seal.



Body Size:

3", 4", 6", 8", 10", 12", 16", 18", 20", and 24"

Materials:

Alum, CS, and SST

Max. Pressure Setting:

16 oz./in²

Max. Vacuum Setting:

4 oz./in²

MODEL // 2100

The Model 2100 is a gauge hatch that allows easy access to tank vessels for gauging and sample collecting. Available as non-locking or with a Knob Latch or Kick Latch.

Body Size:

4", 6", 8", 10", and 12"

Materials:

CS, SST or Alum with FEP-TFE Diaphragm

2100 Series Free Lifting

Pressure Settings:

Non-locking-
 Alum-1.13 oz/in²
 CS & SST-3.1 oz/in²
 Locking-5 psig



MODEL // 2049

The Model 2049 is a tank manifold that allows the end user to utilize a single tank nozzle for both tank blanketing and venting requirements.

Body Size:

Multiple Blanketing, Venting and Tank Connection Sizes and Types, refer to 2049 Technical Bulletin at cashco.com.

Materials:

CS Body
 SST Body



MODEL // 2199

The Model 2199 is a gauge hatch that allows easy access to tank vessels for gauging and sample collecting. Available as non-locking or with a Knob Latch or Kick Latch.



Body Size:

4", 6", 8", 10", and 12"

Materials:

CS, SST or Alum with FEP-TFE Diaphragm

2100 Series Free Lifting

Pressure Settings:

Non-locking-
 Alum-1.13 oz/in²
 CS & SST-3.1 oz/in²
 Locking-5 psig





Check out the other high quality product lines
available exclusively from **Cashco.**



**Sanitary Control Valves
& Regulators**



Industrial Regulators



Control Valves



Cashco, Inc.

607 West 15th Street • P.O. Box 6 • Ellsworth, Kansas 67439
Ph. (785) 472-4461 • Fax: (785) 472-3539 • sales@cashco.com

www.cashco.com
Innovative Solutions