

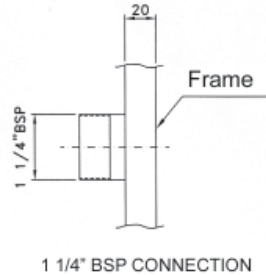
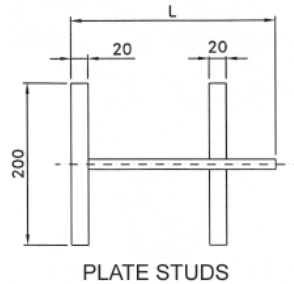
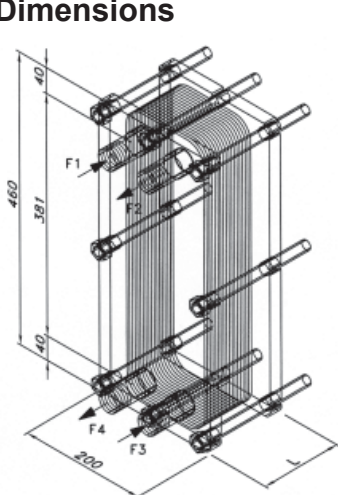
Plate Heat Exchangers - Series S4

Serialized Units designed to meet a wide range of duties in industrial, marine and HVAC installations. These series are of rugged design consisting of a steel frame fastened with bolts and a plate pack with rubber gaskets in between to provide tightness and circuit separation.. The plates can be in site expanded if process conditions required so. Plate Heat Exchangers are an excellent option when space savings are required while good heat transfer is kept. Fouling is minimal thanks to the vertical position of the plates thus ensuring minimal maintenance costs.

MAWP: 16 Kgs/cm2* MAWT: 130°C * Max Flow Rate: 50 c.m (S7) * Max. plate surface: 3.80 sq.m * PED 97/23/CE under Category I and fluids Group II* Test Pressure in accordance with applicable code *



Dimensions



L = 250 mm for all

The Heat exchangers S1 can be provided with a number of plates from 9 to 36 units. There are two standard widths depending on the number of plates assembled. The frame dimensions are standardised to the indicated below and are independent of the plates number. This sketch must be understood as reference only, tailor made drawings for approval can be drawn by our design section on request.

Plate thickness: 0.5 mm

F1 Inlet connection: 1 1/4" threaded BSPP

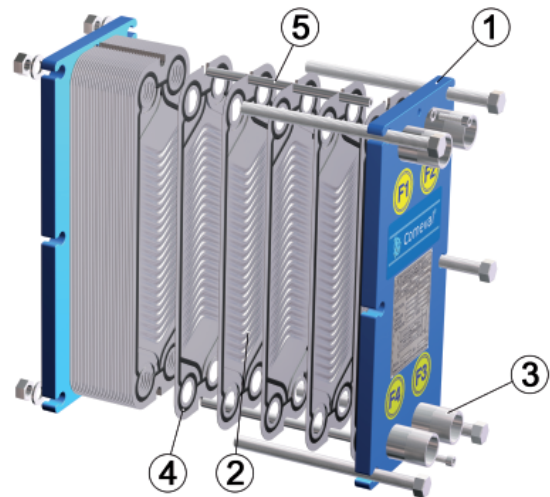
F4 Outlet connection: 1 1/4" threaded BSPP

F3 Inlet connection: 1 1/4" threaded BSPP

F2 Outlet connection: 1 1/4" threaded BSPP

Parts and Materials

Part	Name	Material
1	Frame	Carbon Steel (painted)
2	Plates	St. Steel AISI 316
3	Screwed Connections	St. Steel AISI 316
4	Gaskets	NBR or EPDM
5	Plates Guides	St. Steel AISI 316



Selection Chart

The suitable standard unit can be selected out of the below listed models and serves as a quick guidance. The chart has been based on the following parameters:

Primary Circuit: Steam / Hot Water Inlet temp. 85°C – Outlet temp. 69°C

Secondary Circuit: Water Inlet Temp. 15°C – Outlet Temp. 50°C

Type	Duty (Kcal/h)	Flow Rate-I (m3/h)	ΔP-I (bar)	Flow Rate-II (m3/h)	ΔP-II (bar)	Surface (m2)
S4A-26TL	123.000	8,39	0,376	3,53	0,093	1,02
S4A-29TL	134.000	9,14	0,364	3,85	0,098	1,15
S4A-31TL	145.000	9,89	0,383	4,17	0,094	1,25
S4A-34TL	156.000	10,64	0,377	4,48	0,091	1,35
S4A-36TL	167.000	11,39	0,374	4,80	0,096	1,45
S4A-39TL	178.000	12,14	0,374	5,12	0,094	1,55
S4A-42TL	189.000	12,89	0,376	5,43	0,093	1,70
S4A-45TL	200.000	13,64	0,381	5,75	0,093	1,85
S4A-48TL	211.000	14,39	0,387	6,07	0,093	1,95
S4A-52TL	222.000	15,14	0,423	6,38	0,100	2,15
S4A-52TL	233.000	15,89	0,476	6,70	0,101	2,15

P-I: Pressure Drop in Primary Circuit

P-II: Pressure Drop in Secondary Circuit

Other units to comply with different performances on request.