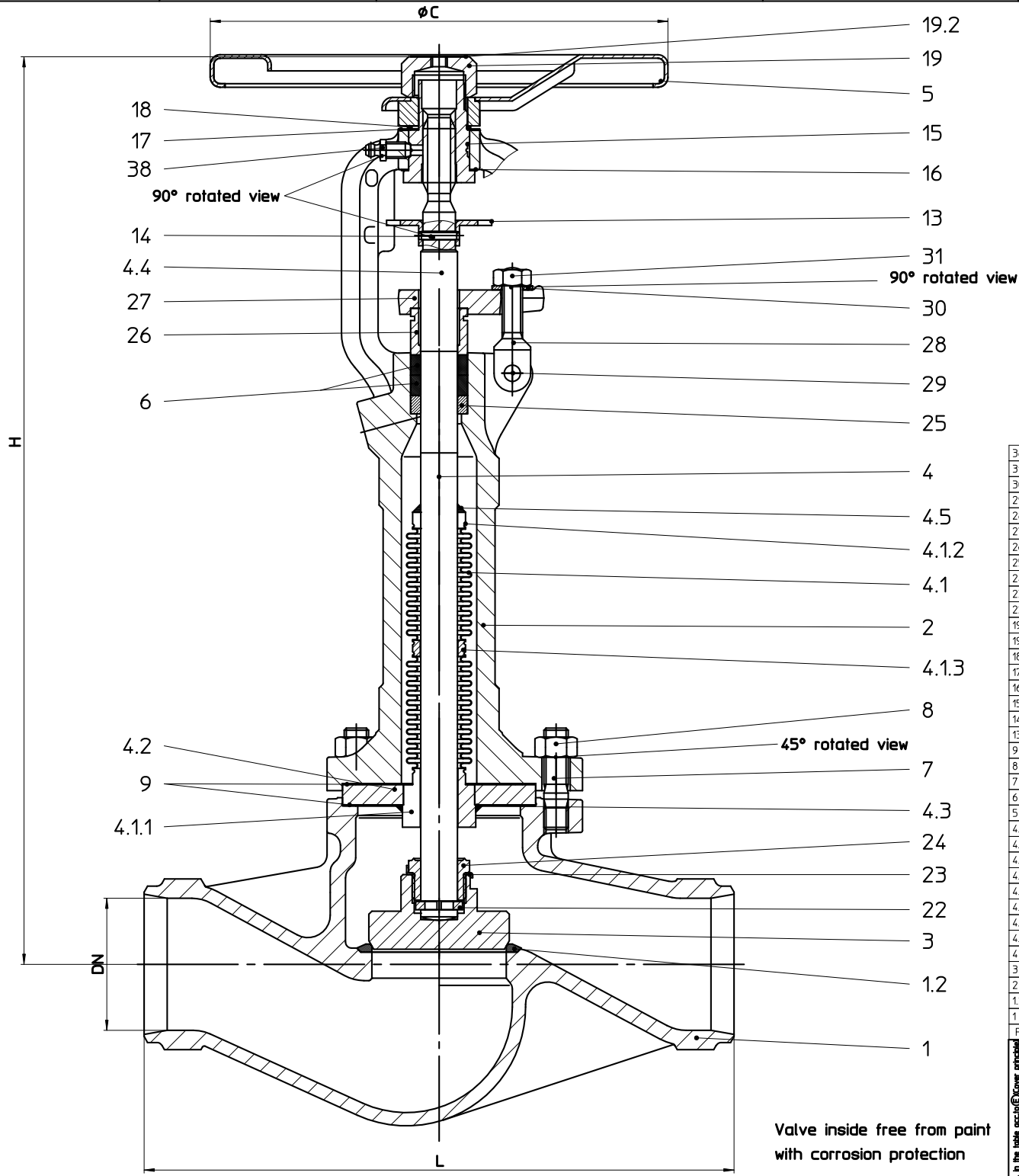


DN	L	H	Stroke	ØC
65	290	450	20	175
80	310	460	20	225
100	350	590	36	300
125	400	620	40	300
150	480	650	40	400
200	600	800	50	520



Pos	Description	Qty	Material	Special treatment	DIN No.	Sp.
38	Lubricating nipple	1	SI-A2G	hardened 550 HV		
31	Hexagon nut	2	C35E EN 10269		934	
30	Washer	2	SI		125	
29	Spring type straight pin	2	15026 EN 10132-4		ISO 8752	
28	Flap type screw	2	1.7218 EN 10269	sandblasted		
27	Stuffing box glands	1	1.0460 EN 10222-2			
26	Gland follower	1	1.0718+C EN 10087	Cover DIN 50961-Fe/Zn 10B		
25	Guide bush	1	1.4021+QT EN 10088-1	plasma nitrided		
24	Screw joint STOBU	1	1.4104+QT EN 10088-1			
23	Safety plate	1	1.4301 EN 10088-1			
22	Spindle ring	1	1.4104+QT EN 10088-1			
19.2	Tag CE FAB A	1	Polyesterfoi			
19	Guard cap FAB A CE	1	1.0718+C EN 10087	FE 13 epoxid coating 40-100 µm		
18	Retaining ring	1	FST			
17	Shim ring	1	1.0330+C590 EN 10139		988	
16	Washer	1	1.1248+QT EN 10132-4			
15	Insert nuts FAB A TR16x4-LH	1	1.0718+C EN 10087	Cover DIN 50961-Fe/Zn 10B		X
14	Spring-type straight pin	1	1.1231 EN 10132-4		EN 28748	
13	Removable lock washer	1	1.0037 EN 10025	Cover DIN 50961-Fe/Zn 12B		
9	Gasket	2	GRAPHIT			X
8	Hexagon nut	4	C35E EN 10269		934	
7	Stud	4	1.7218 EN 10269		939	
6	Packing ring	2	GRAPHIT			X
5	Handwheel	1	1.0330 EN 10130	epoxid coating 40-70µm		
4.5	weld material	1	E19 12 3 Nb Si EN 1600			
4.4	Spindle FAB A-LA DN 65- 80	1	1.4541 EN 10088-1			
4.3	weld material	1	E19 12 3 L EN 1600			
4.2	Bellow flange	1	1.0037 EN 10025			
4.1.3	Adaptor ring	1	1.4301 EN 10088-1	free from lubricant		
4.1.2	connection bague	1	1.4301 EN 10088-1	free from lubricant		
4.1.1	Bush	1	1.4301 EN 10088-1	free from lubricant		
4.1	Bellow FAB A-LA	1	1.4571 EN 10088-1			
4	Spindle unit FAB A	1	1.4541 EN 10088-1			X
3	Plug STOBU KS	1	1.4122+QT EN 10088-1	vacuum harden 50±3 HRC		X
2	Bellow body	1	1.0619+N EN 10213-2			
1.2	weld material	1	G19 9 Nb Si EN 12072			
1	Body	1	1.0619+N / G19 9 Nb Si			

Valve inside free from paint with corrosion protection

Dimension without tolerance	Scale	Umsatz/part / raw mat.
acc. to	1:1	Material 1.0619+N / G19 9 Nb Si
DIN ISO 2768-ak		Special treatment
Date	Name	
05.12.03	skoch	FABA-LA-DG-VTL SE PN40
12.12.03	skoch	DN 65
Res.	Inspected	
Page: 1 / 1		
6177	05.12.03	350670065-14 CAD
fit	Dimension/Index	Modification
Date	Name	Version: 1
Repl.	Repl.	Repl.

All rights reserved According to DIN 24.