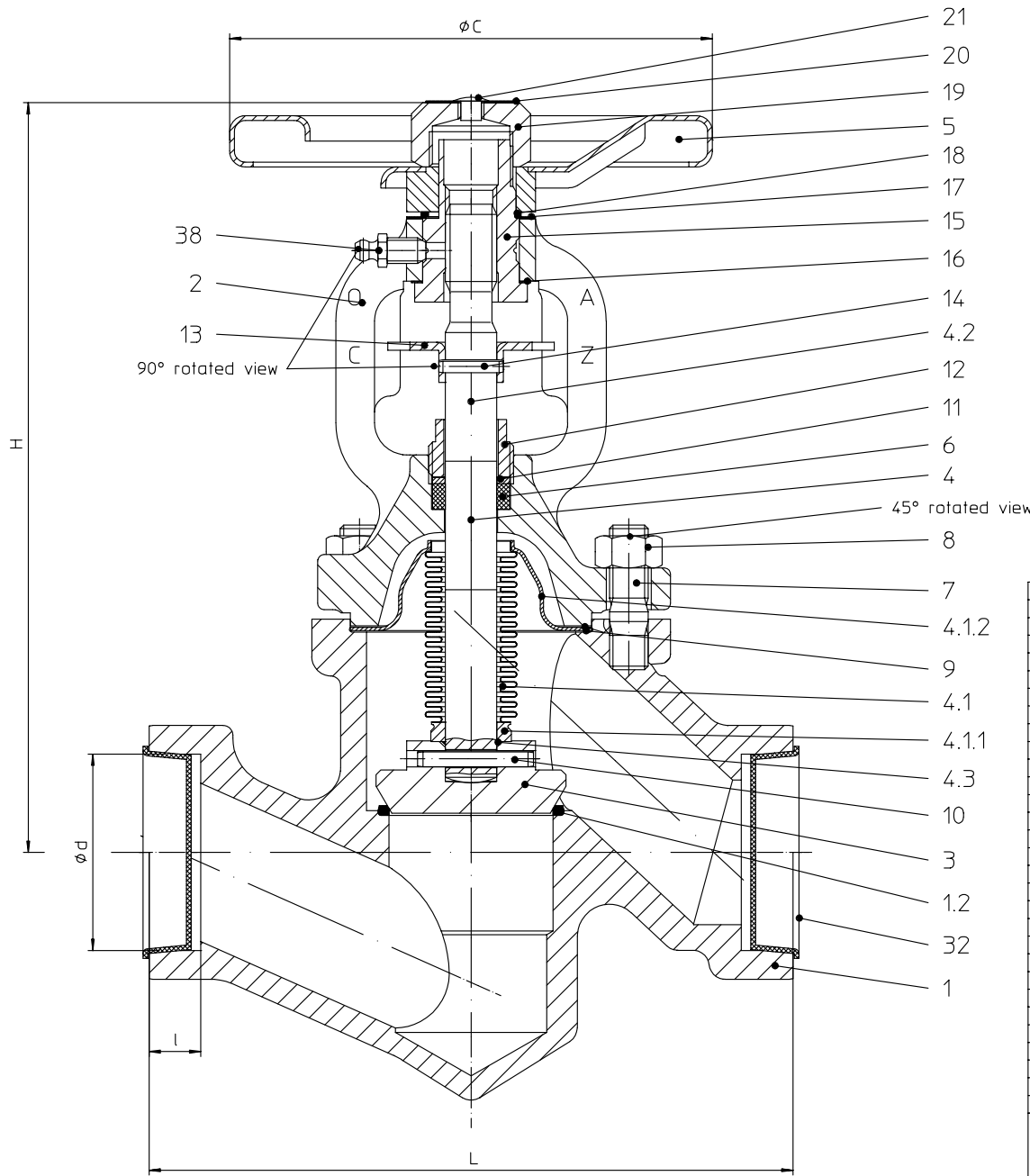


All rights reserved
According to DIN 34.



Valve inside free from paint
with corrosion protection

DN	L	H	Stroke	ØC	l	Ød
15	111	203	6	125	10	21.7
20	111	203	6	125	13	27.1
25	134	215	8	125	13	33.8
32	178	230	13	125	13	42.5
40	178	230	13	150	13	48.7
50	200	240	13	150	16	61.1

CE-marking from DN32 acc. to
Pressure Equipment Directive

Pos	Description	Qty	material	Special treatment	DIN No.	Sp.
38	Lubricating nipple	1	St-A3G	hardened 550 HV		
32	Guard cap	2	PE-soft			
21	Plug	1	PE-soft			
20	Tag CE FAB A KS	1	3.0250 DIN 1712 T1			
19	Guard cap	1	9SMn28K DIN 1651	FE 13 epoxid coating 40-100µm		
18	Retaining ring	1	FST			
17	Shim ring	1	SI2K60			988
16	Washer	1	C75H+A DIN17222			
15	Insert nuts FAB A M16-LH	1	1.0718.07 DIN 1651	Cover DIN 50961-Fe/Zn 10B		X
14	Spring-type straight pin	1	CK67 DIN 17220			EN 28748
13	Removable lock washer	1	St 37-2 EN 10025	Cover DIN 50961-Fe/Zn 12B		
12	Screw joint	1	1.0718 DIN 1651	Cover DIN 50961-Fe/Zn 10B		
11	Pressure ring	1	1.0718.07 DIN 1651	Cover DIN 50961-Fe/Zn 10B		
10	Spring-type straight pin	1	1.4310 DIN 17224			EN 28750
9	Gasket	2	Pure graphite with integrated CrNi			X
8	Hexagon nut	4	SA194 2H			934
7	Stud	4	SA193 B7			939
6	Packing ring	1	Pure graphite			X
5	Handwheel	1	St 12-03 DIN 1623	epoxid coating 40-70µm		
4.3	Weld material	1	1.4551 DIN 8556			
4.2	Spindle	1	1.402105 DIN 17440			
4.1.2	Clamp flange	1	1.4301 DIN 17440	free from lubricant		
4.1.1	Adaptor ring	1	1.4301 DIN 17440	free from lubricant		
4.1	Bellow	1	1.4571 / 1.4301	free from lubricant		
4	Spindle unit FAB A	1	1.402105 DIN 17440			X
3	Plug FAB A KS	1	1.412205 DIN 17442	vacuum hardened HRC 47+6		X
2	Bonnet	1	C22.8 DIN 17243			
1.2	Weld material	1	1.4551 DIN 8556			
1	Body ANSI300	1	A105 / 1.4551			

Pos	Description	Qty	material	Special treatment	DIN No.	Sp.																																																															
<table border="0" style="width: 100%;"> <tr> <td style="width: 30%;"><input checked="" type="checkbox"/> - <input checked="" type="checkbox"/></td> <td style="width: 30%;"><input checked="" type="checkbox"/> - <input checked="" type="checkbox"/></td> <td style="width: 30%;"><input checked="" type="checkbox"/> - <input checked="" type="checkbox"/></td> <td style="width: 10%;">Dimension without tolerance acc. to</td> <td style="width: 10%;">Scale 1:1</td> <td colspan="2">Unmachined part / raw mat. material A105 / 1.4551 Weight[kg]</td> </tr> <tr> <td><input checked="" type="checkbox"/> - <input checked="" type="checkbox"/></td> <td><input checked="" type="checkbox"/> - <input checked="" type="checkbox"/></td> <td><input checked="" type="checkbox"/> - <input checked="" type="checkbox"/></td> <td>Date</td> <td>Name</td> <td colspan="2">Special treatment</td> </tr> <tr> <td><input checked="" type="checkbox"/> - <input checked="" type="checkbox"/></td> <td><input checked="" type="checkbox"/> - <input checked="" type="checkbox"/></td> <td><input checked="" type="checkbox"/> - <input checked="" type="checkbox"/></td> <td>20.07.01</td> <td>skoch</td> <td colspan="2">FABA</td> </tr> <tr> <td><input checked="" type="checkbox"/> - <input checked="" type="checkbox"/></td> <td><input checked="" type="checkbox"/> - <input checked="" type="checkbox"/></td> <td><input checked="" type="checkbox"/> - <input checked="" type="checkbox"/></td> <td>Insp. 23.07.01</td> <td>H.Koch</td> <td colspan="2">DN 50 300lbs</td> </tr> <tr> <td><input checked="" type="checkbox"/> - <input checked="" type="checkbox"/></td> <td><input checked="" type="checkbox"/> - <input checked="" type="checkbox"/></td> <td><input checked="" type="checkbox"/> - <input checked="" type="checkbox"/></td> <td colspan="2">Data subject to alteration</td> <td colspan="2">Page: 1/1</td> </tr> <tr> <td><input checked="" type="checkbox"/> - <input checked="" type="checkbox"/></td> <td><input checked="" type="checkbox"/> - <input checked="" type="checkbox"/></td> <td><input checked="" type="checkbox"/> - <input checked="" type="checkbox"/></td> <td colspan="2">Status inspected</td> <td colspan="2">350490050-1 CAD</td> </tr> <tr> <td><input checked="" type="checkbox"/> - <input checked="" type="checkbox"/></td> <td><input checked="" type="checkbox"/> - <input checked="" type="checkbox"/></td> <td><input checked="" type="checkbox"/> - <input checked="" type="checkbox"/></td> <td colspan="2">Page: 1/1</td> <td colspan="2">ARMATUREN</td> </tr> <tr> <td><input checked="" type="checkbox"/> - <input checked="" type="checkbox"/></td> <td><input checked="" type="checkbox"/> - <input checked="" type="checkbox"/></td> <td><input checked="" type="checkbox"/> - <input checked="" type="checkbox"/></td> <td colspan="2">Version: 1</td> <td colspan="2">Repl.f.</td> </tr> <tr> <td><input checked="" type="checkbox"/> - <input checked="" type="checkbox"/></td> <td><input checked="" type="checkbox"/> - <input checked="" type="checkbox"/></td> <td><input checked="" type="checkbox"/> - <input checked="" type="checkbox"/></td> <td colspan="2">Repl.by</td> <td colspan="2"></td> </tr> </table>							<input checked="" type="checkbox"/> - <input checked="" type="checkbox"/>	<input checked="" type="checkbox"/> - <input checked="" type="checkbox"/>	<input checked="" type="checkbox"/> - <input checked="" type="checkbox"/>	Dimension without tolerance acc. to	Scale 1:1	Unmachined part / raw mat. material A105 / 1.4551 Weight[kg]		<input checked="" type="checkbox"/> - <input checked="" type="checkbox"/>	<input checked="" type="checkbox"/> - <input checked="" type="checkbox"/>	<input checked="" type="checkbox"/> - <input checked="" type="checkbox"/>	Date	Name	Special treatment		<input checked="" type="checkbox"/> - <input checked="" type="checkbox"/>	<input checked="" type="checkbox"/> - <input checked="" type="checkbox"/>	<input checked="" type="checkbox"/> - <input checked="" type="checkbox"/>	20.07.01	skoch	FABA		<input checked="" type="checkbox"/> - <input checked="" type="checkbox"/>	<input checked="" type="checkbox"/> - <input checked="" type="checkbox"/>	<input checked="" type="checkbox"/> - <input checked="" type="checkbox"/>	Insp. 23.07.01	H.Koch	DN 50 300lbs		<input checked="" type="checkbox"/> - <input checked="" type="checkbox"/>	<input checked="" type="checkbox"/> - <input checked="" type="checkbox"/>	<input checked="" type="checkbox"/> - <input checked="" type="checkbox"/>	Data subject to alteration		Page: 1/1		<input checked="" type="checkbox"/> - <input checked="" type="checkbox"/>	<input checked="" type="checkbox"/> - <input checked="" type="checkbox"/>	<input checked="" type="checkbox"/> - <input checked="" type="checkbox"/>	Status inspected		350490050-1 CAD		<input checked="" type="checkbox"/> - <input checked="" type="checkbox"/>	<input checked="" type="checkbox"/> - <input checked="" type="checkbox"/>	<input checked="" type="checkbox"/> - <input checked="" type="checkbox"/>	Page: 1/1		ARMATUREN		<input checked="" type="checkbox"/> - <input checked="" type="checkbox"/>	<input checked="" type="checkbox"/> - <input checked="" type="checkbox"/>	<input checked="" type="checkbox"/> - <input checked="" type="checkbox"/>	Version: 1		Repl.f.		<input checked="" type="checkbox"/> - <input checked="" type="checkbox"/>	<input checked="" type="checkbox"/> - <input checked="" type="checkbox"/>	<input checked="" type="checkbox"/> - <input checked="" type="checkbox"/>	Repl.by			
<input checked="" type="checkbox"/> - <input checked="" type="checkbox"/>	<input checked="" type="checkbox"/> - <input checked="" type="checkbox"/>	<input checked="" type="checkbox"/> - <input checked="" type="checkbox"/>	Dimension without tolerance acc. to	Scale 1:1	Unmachined part / raw mat. material A105 / 1.4551 Weight[kg]																																																																
<input checked="" type="checkbox"/> - <input checked="" type="checkbox"/>	<input checked="" type="checkbox"/> - <input checked="" type="checkbox"/>	<input checked="" type="checkbox"/> - <input checked="" type="checkbox"/>	Date	Name	Special treatment																																																																
<input checked="" type="checkbox"/> - <input checked="" type="checkbox"/>	<input checked="" type="checkbox"/> - <input checked="" type="checkbox"/>	<input checked="" type="checkbox"/> - <input checked="" type="checkbox"/>	20.07.01	skoch	FABA																																																																
<input checked="" type="checkbox"/> - <input checked="" type="checkbox"/>	<input checked="" type="checkbox"/> - <input checked="" type="checkbox"/>	<input checked="" type="checkbox"/> - <input checked="" type="checkbox"/>	Insp. 23.07.01	H.Koch	DN 50 300lbs																																																																
<input checked="" type="checkbox"/> - <input checked="" type="checkbox"/>	<input checked="" type="checkbox"/> - <input checked="" type="checkbox"/>	<input checked="" type="checkbox"/> - <input checked="" type="checkbox"/>	Data subject to alteration		Page: 1/1																																																																
<input checked="" type="checkbox"/> - <input checked="" type="checkbox"/>	<input checked="" type="checkbox"/> - <input checked="" type="checkbox"/>	<input checked="" type="checkbox"/> - <input checked="" type="checkbox"/>	Status inspected		350490050-1 CAD																																																																
<input checked="" type="checkbox"/> - <input checked="" type="checkbox"/>	<input checked="" type="checkbox"/> - <input checked="" type="checkbox"/>	<input checked="" type="checkbox"/> - <input checked="" type="checkbox"/>	Page: 1/1		ARMATUREN																																																																
<input checked="" type="checkbox"/> - <input checked="" type="checkbox"/>	<input checked="" type="checkbox"/> - <input checked="" type="checkbox"/>	<input checked="" type="checkbox"/> - <input checked="" type="checkbox"/>	Version: 1		Repl.f.																																																																
<input checked="" type="checkbox"/> - <input checked="" type="checkbox"/>	<input checked="" type="checkbox"/> - <input checked="" type="checkbox"/>	<input checked="" type="checkbox"/> - <input checked="" type="checkbox"/>	Repl.by																																																																		