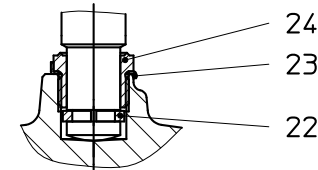
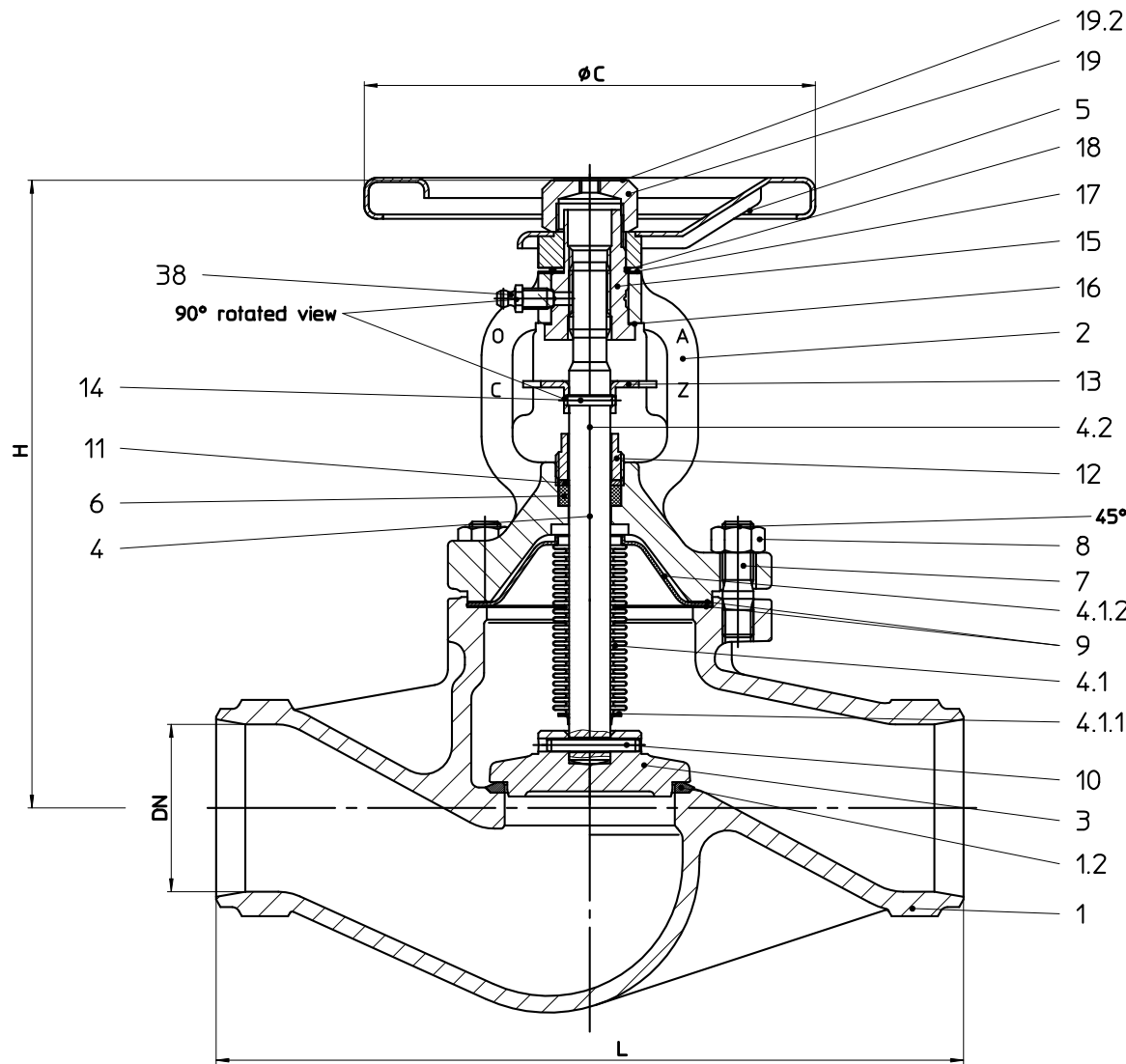
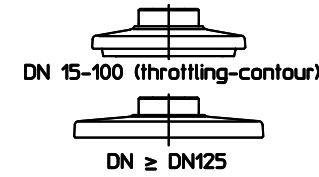


DN	L	H	Stroke	ØC
65	290	238	16	175
80	310	257	20	225
100	350	340	25	300
125	400	360	32	300
150	480	390	40	400



Plug-Spindle connection  
≥ DN150

Plug contours



Valve inside free from paint  
with corrosion protection

Pos	Description	Qty	Material	Special treatment	DIN No.	Sp.
38	Lubricating nipple	1	SI-A2G	hardened 550 HV		
24	Screw joint STOBU	1	1.4104+OT EN 10088-1			
23	Safety plate	1	1.4301 EN 10088-1			
22	Spindle ring	1	1.4104+OT EN 10088-1			
19.2	Tag CE FAB A	1	Polyesterfol			
19	Guard cap FAB A CE	1	1.0718+C EN 10087	FE 13 epoxid-coating 40-100 \175m		
18	Retaining ring	1	FST			
17	Shim ring	1	1.0330+C590 EN 10139			988
16	Washer	1	1.1248+OT EN 10132-4			
15	Insert nuts FAB A M16-LH	1	1.0718+C EN 10087	Cover DIN 50961-Fe/Zn 10B		X
14	Spring-type straight pin	1	1.1231 EN 10132-4			EN 28748
13	Removable lock washer DVGW	1	1.0037 EN 10025	Cover DIN 50961-Fe/Zn 12B		
12	Screw joint	1	1.0718+C EN 10087	Cover DIN 50961-Fe/Zn 10B		
11	Pressure ring	1	1.0718+C EN 10087	Cover DIN 50961-Fe/Zn 10B		
10	Spring-type straight pin	1	1.4310 EN 10270-3			ISO 8750
9	Gasket	2	GRAPHIT			X
8	Hexagon nut	4	C35E EN 10269			934
7	Stud	4	1.7218 EN 10269			939
6	Packing ring	1	GRAPHIT			X
5	Handwheel	1	1.0330 EN 10130	epoxid coating 40-70µm		
4.2	Spindle	1	1.4021+OT EN 10088-1			
4.1.2	Clamp flange	1	1.4571 EN 10088-1	free from lubricant		
4.1.1	Angle ring	1	1.4571 EN 10088-1			
4.1	Bellow FAB A	1	1.4571 EN 10088-1	free from lubricant		
4	Spindle unit FAB A	1	1.4021+OT EN 10088-1			X
3	Plug FAB A DK	1	1.4021+OT EN 10088-1			X
2	Bonnet	1	1.0460 EN 10222-2			
1.2	weld material	1	G19 9 Nb Si EN 12072			
1	Body	1	1.0619+N / G19 9 Nb Si			

Dimension without tolerance acc. to	Scale	Umschl./part / raw mat.
✓ - √ Rz6.3 ✓ - √ Rz100 ✓ - √ Rz25 ✓ - √ Rz16	1:1 Date: 05.12.03 Name: skoch Date subject to alteration: 12.12.03 Name: skoch Status: inspected Page: 1/1	Material: 1.0619+N / G19 9 Nb Si Gewicht(kg) Special treatment FAB A-DG-VTL SE PN40 FV DN 65 350400065-14 CAD
✓ - √ Rz6.3 ✓ - √ Rz1 ✓ - √ Rz40-160 ✓ - √ Rz25-40	Date: 05.12.03 Name: skoch Date subject to alteration: 12.12.03 Name: skoch Status: inspected Page: 1/1	Material: 1.0619+N / G19 9 Nb Si Gewicht(kg) Special treatment FAB A-DG-VTL SE PN40 FV DN 65 350400065-14 CAD