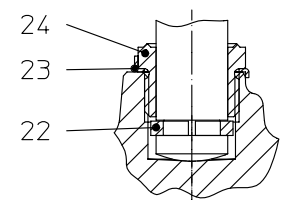
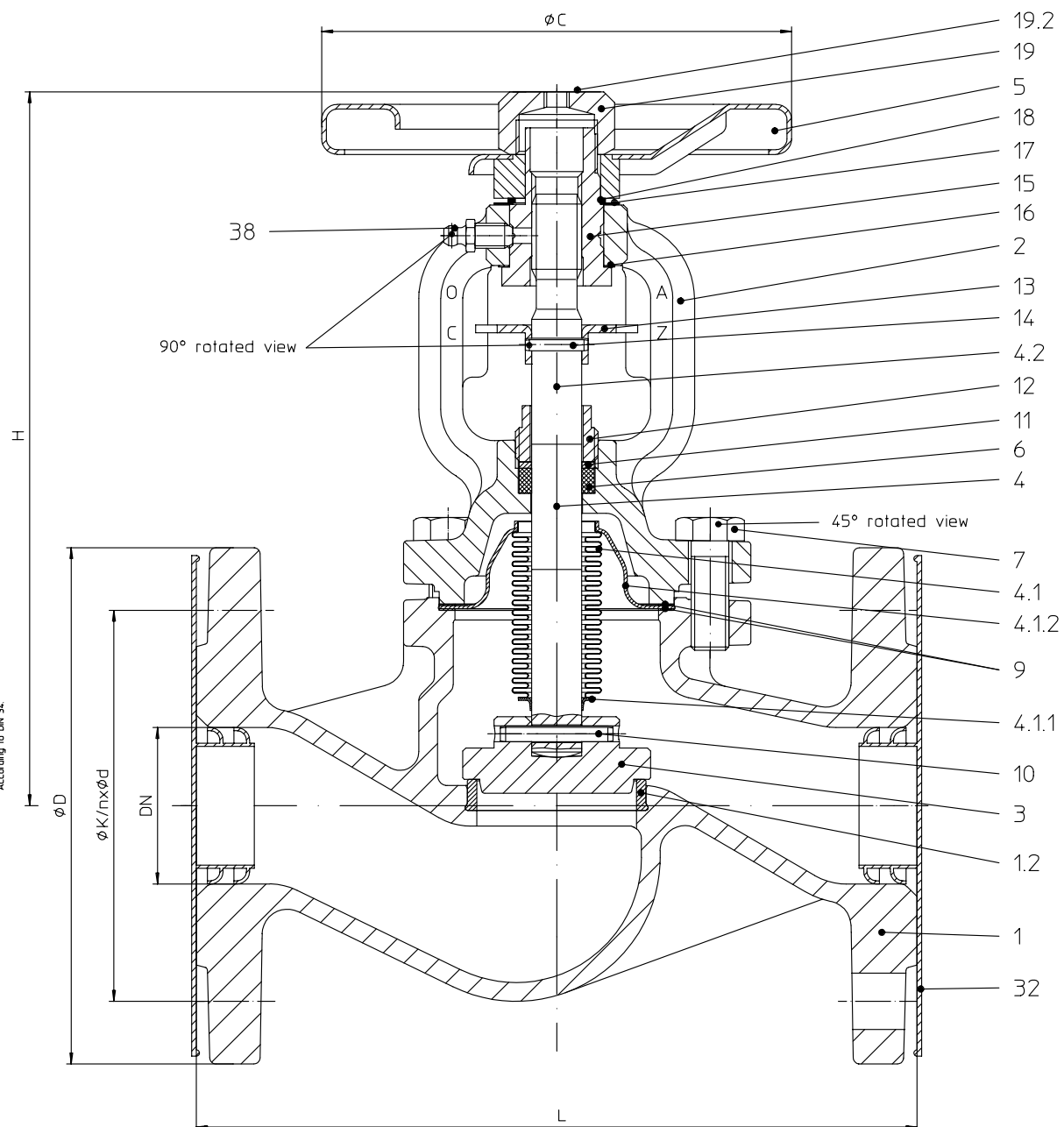
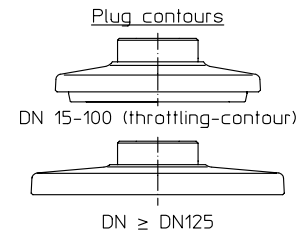


All rights reserved
According to DIN 34.



Plug-Spindle connection
≥ DN150



| DN | L | H | Stroke | φC | φD | φK | n x φd |
|-----|------|------|--------|-----|-----|-----|--------|
| 15 | 130 | 191 | 6 | 125 | 95 | 65 | 4x14 |
| 20 | 150 | 191 | 6 | 125 | 105 | 75 | 4x14 |
| 25 | 160 | 197 | 8 | 125 | 115 | 85 | 4x14 |
| 32 | 180 | 200 | 8 | 125 | 140 | 100 | 4x18 |
| 40 | 200 | 218 | 13 | 150 | 150 | 110 | 4x18 |
| 50 | 230 | 220 | 13 | 150 | 165 | 125 | 4x18 |
| 65 | 290 | 238 | 16 | 175 | 185 | 145 | 4x18 |
| 80 | 310 | 257 | 20 | 175 | 200 | 160 | 8x18 |
| 100 | 350 | 340 | 25 | 300 | 220 | 180 | 8x18 |
| 125 | 400 | 360 | 32 | 300 | 250 | 210 | 8x18 |
| 150 | 480 | 390 | 40 | 300 | 285 | 240 | 8x22 |
| 200 | 600 | 530 | 50 | 400 | 340 | 295 | 12x22 |
| 250 | 730 | 665 | 70 | 520 | 405 | 355 | 12x26 |
| 300 | 850 | 720 | 80 | 520 | 460 | 410 | 12x26 |
| 350 | 980 | 860 | 90 | 520 | 520 | 470 | 16x26 |
| 400 | 1100 | 1010 | 100 | 520 | 580 | 525 | 16x30 |

CE-marking from DN32 acc. to
Pressure Equipment Directive

| Pos | Description | Qty | Material | Special treatment | DIN No. | Sp. |
|-------|--------------------------|-----|------------------------------------|-------------------------------|---------|----------|
| 38 | Lubricating nipple | 1 | SI-A3G | hardened 550 HV | | |
| 32 | Flange cover | 2 | PE-soft | | | |
| 24 | Screw joint STOBU | 1 | 1.4104.05 DIN 17440 | | | |
| 23 | Safety plate | 1 | 1.4301 DIN 17440 | | | |
| 22 | Spindle ring | 1 | 1.4104.05 DIN 17440 | | | |
| 19.2 | Tag CE FAB A | 1 | Polyesterfolie | | | |
| 19 | Guard cap FAB A CE | 1 | 9SMn28K DIN 1651 | FE 13 epoxid coating 40-100µm | | |
| 18 | Retaining ring | 1 | FST | | | |
| 17 | Shim ring | 1 | SI2K60 | | | 988 |
| 16 | Washer | 1 | C755+0T DIN EN 10132-4 | | | |
| 15 | Insert nuts FAB A M16-LH | 1 | 1.0718.07 DIN 1651 | Cover DIN 50961-Fe/Zn 10B | | X |
| 14 | Spring-type straight pin | 1 | CK67 DIN 17220 | | | EN 28748 |
| 13 | Removable lock washer | 1 | SI 37-2 EN 10025 | Cover DIN 50961-Fe/Zn 12B | | |
| 12 | Screw joint | 1 | 1.0718 DIN 1651 | Cover DIN 50961-Fe/Zn 10B | | |
| 11 | Pressure ring | 1 | 1.0718.07 DIN 1651 | Cover DIN 50961-Fe/Zn 10B | | |
| 10 | Spring-type straight pin | 1 | 1.4310 DIN 17224 | | | EN 28750 |
| 9 | Gasket | 2 | Pure graphite with integrated CrNi | | | X |
| 7 | Hexagon bolt | 4 | 5.6 | | | 933 |
| 6 | Packing ring | 1 | Pure graphite | | | X |
| 5 | Handwheel | 1 | SI 12-03 DIN 1623 | epoxid coating 40-70µm | | |
| 4.2 | Spindle | 1 | 1.4021.05 DIN 17440 | | | |
| 4.1.2 | Clamp flange | 2 | 1.4571 DIN 17440 | free from lubricant | | |
| 4.1.1 | Angle ring | 2 | 1.4571 DIN 17440 | | | |
| 4.1 | Bellow FAB A | 1 | 1.4571 | free from lubricant | | |
| 4 | Spindle unit FAB A | 1 | 1.4021.05 DIN 17440 | | | X |
| 3 | Plug FAB A DK | 1 | 1.4021.05 DIN 17440 | | | X |
| 2 | Bonnet | 1 | GGG-40.3 DIN 1693 | | | |
| 1.2 | Seal ring | 1 | 1.4021.05 DIN 17440 | | | |
| 1 | Body | 1 | GG-25 / 1.4021.05 | | | |

| | | | | | | |
|---|-----------------------------|-----------------|-----------------------------|-----------|----------------------------|------------|
| Din in this table acc. to (Cover principle) | ✓ - ✓ | ✓ - ✓ Rz6,3 | Dimension without tolerance | Scale | Ummachpart / raw mat. | |
| | ✓ - ✓ Rz100 | ✓ - ✓ Rz1 | acc. to | 1:1 | Material GG-25 / 1.4021.05 | |
| | ✓ - ✓ Rz25 | ✓ - ✓ Rz40-160 | DIN ISO 2768-mK | | Weight(kg) | |
| | | ✓ - ✓ Rz25-40 | | | Special treatment | |
| | | | | | | |
| | Data subject to alteration. | Worker 04.07.02 | Date | Name | FABA PN16 | |
| | | Insp. 22.08.02 | | | DN 50 | |
| | | | | | 120460050-1 CAD | |
| | | | | | | |
| | (b) 5548 | 04.07.02 | skd | ARMATUREN | | |
| fit | dimension | index | Modification | Date | Name | Version: 1 |
| | | | | | | Replf. |
| | | | | | | ReplBy |